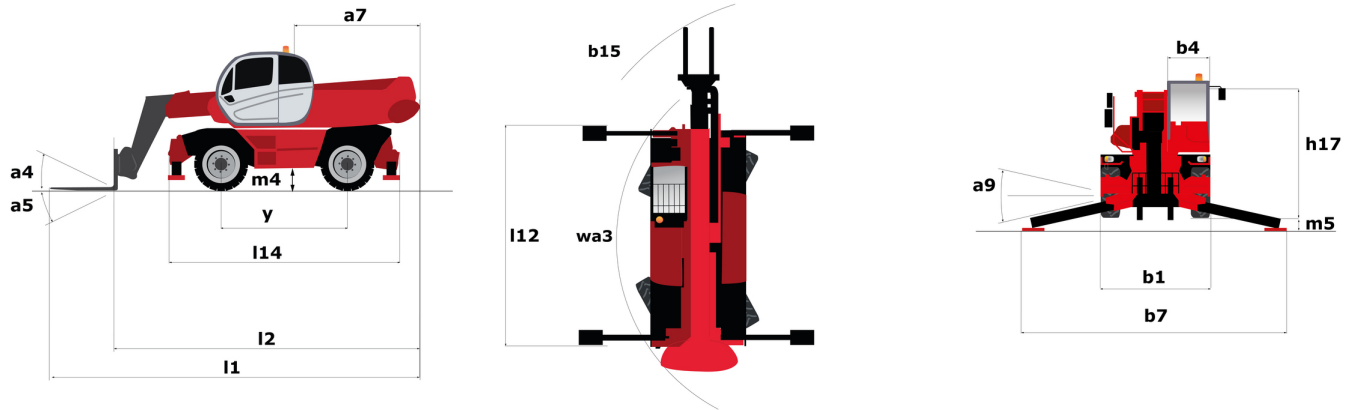


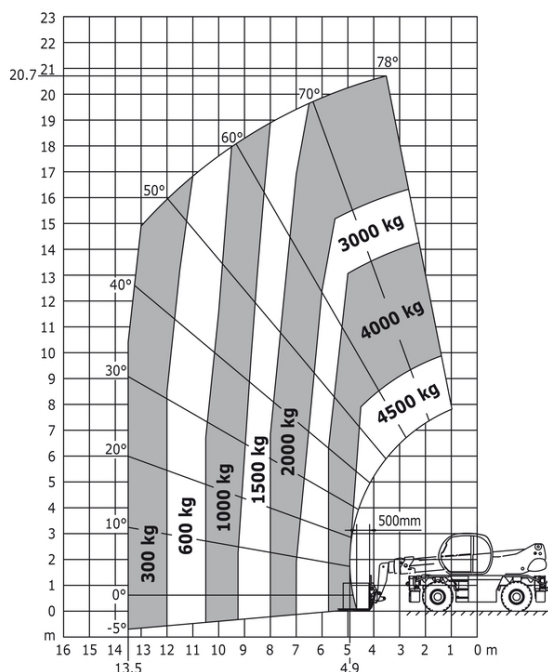
MRT 2150 Privilege Plus - Dimensional drawing



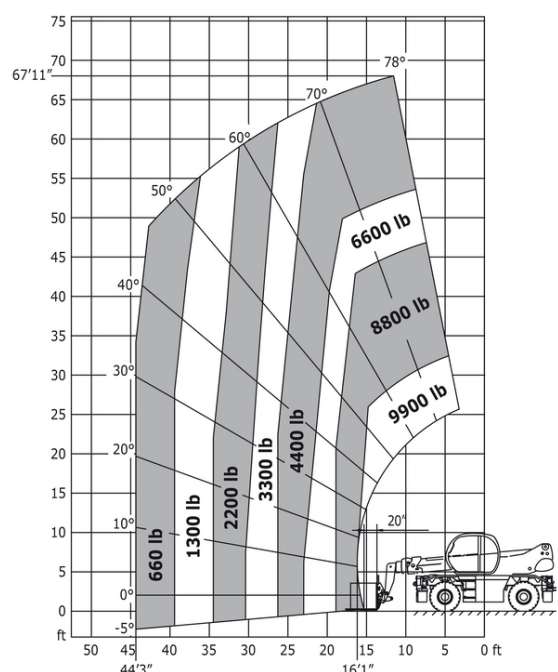
Other data		Metric	Imperial
Overall length (with forks)	l1	8.07 m	26 ft 6 in
Length to face of forks	l2	6.87 m	22 ft 6 in
Length of frame	l14	5.35 m	17 ft 7 in
Wheelbase	y	3.05 m	10 ft
Ground clearance	m4	0.35 m	1 ft 2 in
Counterweight offset (turret at 90°)	a7	2.68 m	8 ft 10 in
Tilt-up angle	a4	12 °	12 °
Tilt-down angle	a5	105 °	105 °
Overall length at stabilisers	l12	5.19 m	17 ft
Outer frame turning radius	wa3	5.23 m	17 ft 2 in
Outer turning radius (with forks)	b15	6.55 m	21 ft 6 in
Overall width	b1	2.49 m	8 ft 2 in
Overall width with stabilisers extended	b7	5.55 m	18 ft 3 in
Overall cab width	b4	0.99 m	3 ft 3 in
Overall height	h17	3.05 m	10 ft
Frame levelling corrector	a9	+/- 8 °	+/- 8 °
Ground clearance under front tires on stabilizers	m5	0.23 m	9 in

MRT 2150 Privilege Plus - Load chart

Machine on tyres with forks Metric

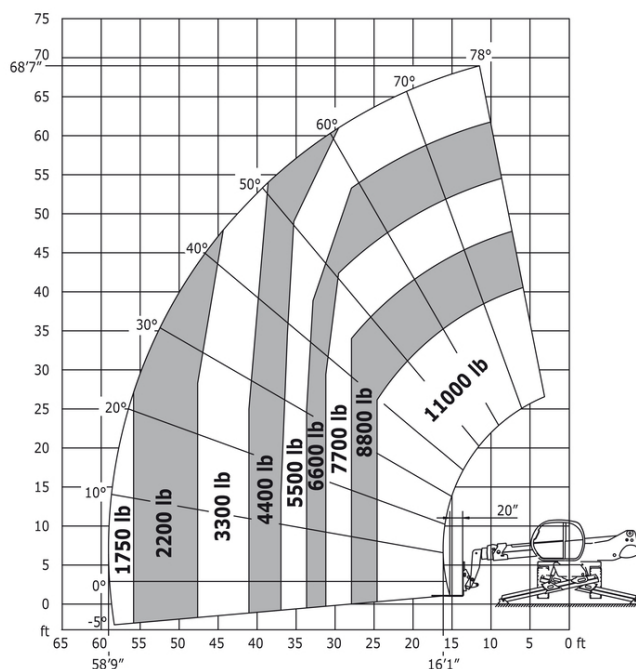
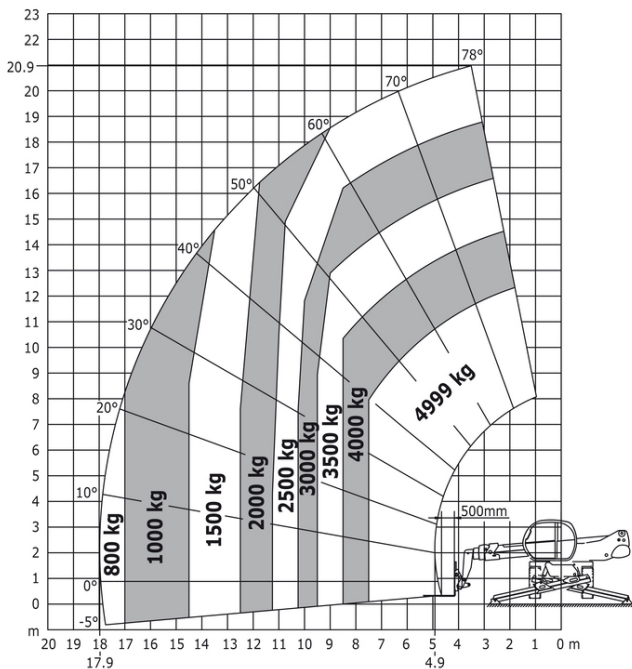


Machine on tyres with forks Imperial



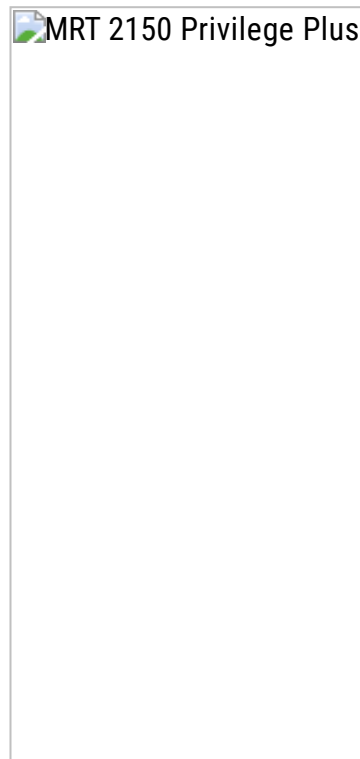
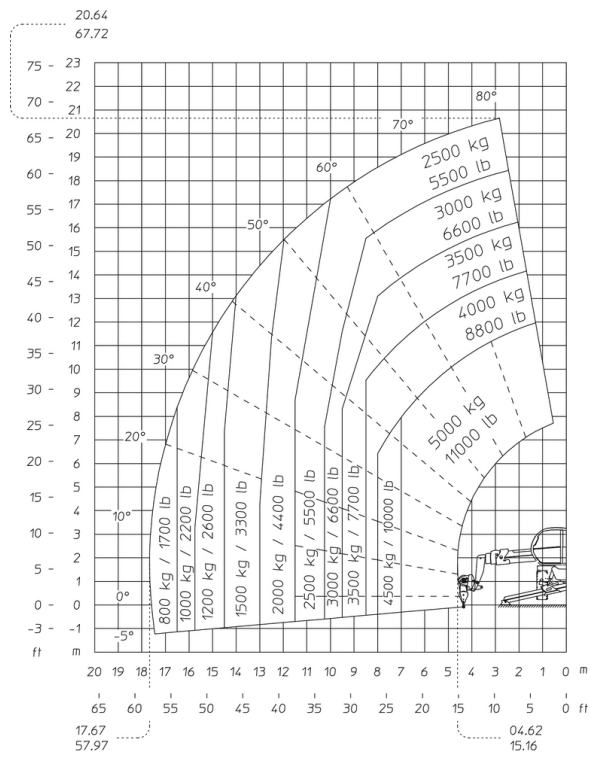
Machine on lowered stabilisers with forks Metric

Machine on lowered stabilisers with forks Imperial



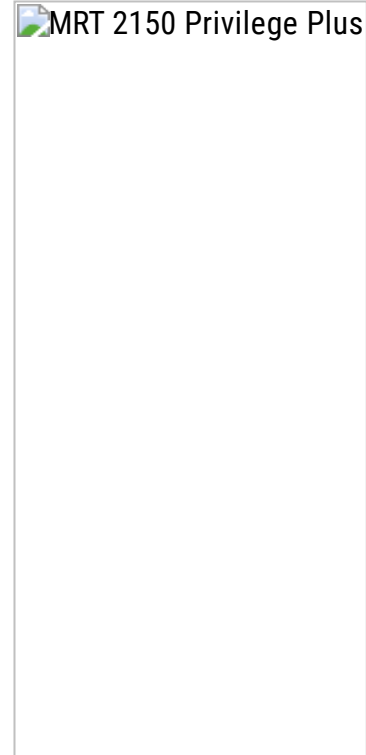
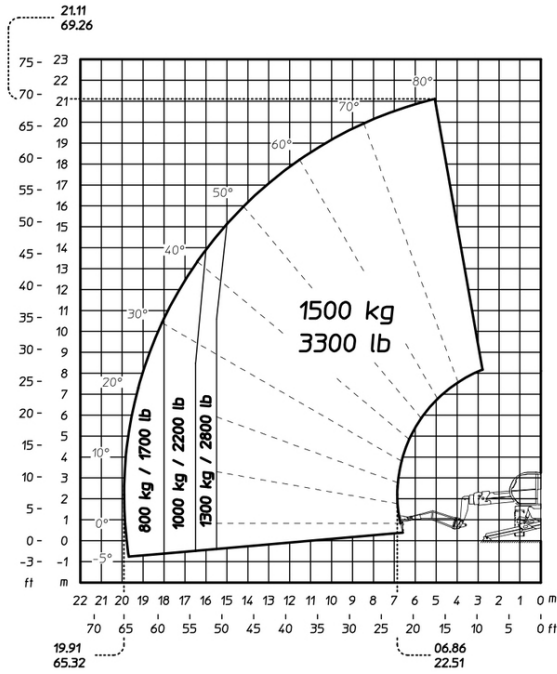
Machine on lowered stabilisers with winch 5000 kg Metric

Machine on lowered stabilisers with winch 5000 kg Imperial



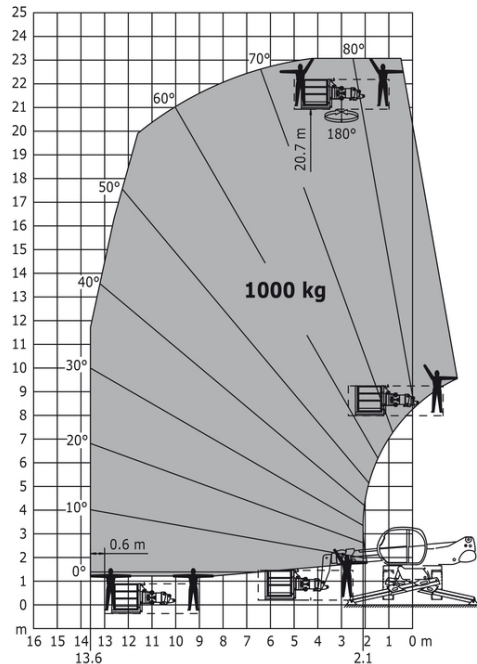
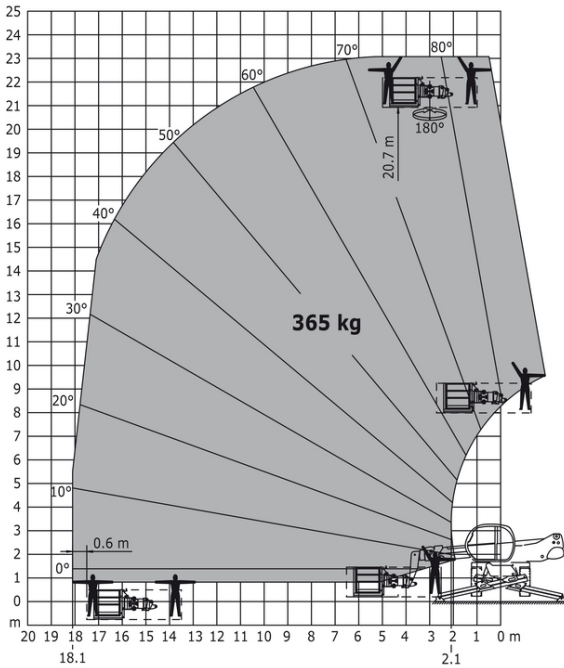
Machine on lowered stabilisers with 1500 kg jib Metric

Machine on lowered stabilisers with 3D positive / negative Imperial

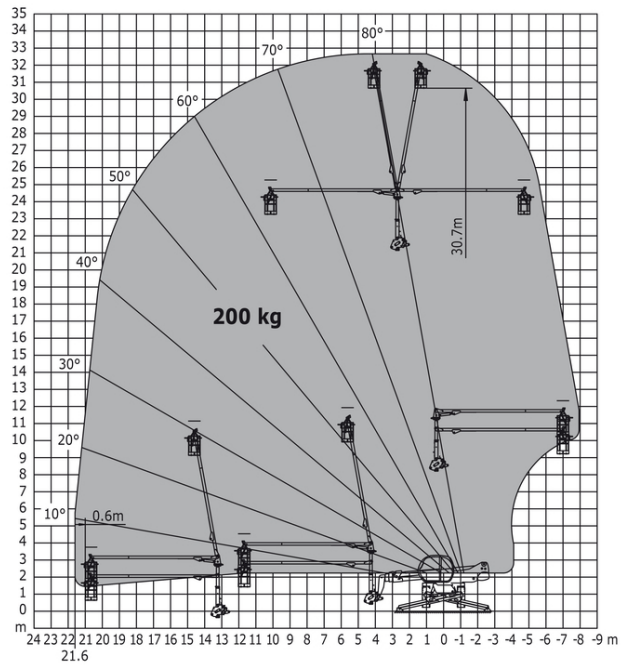


Machine on lowered stabilisers with 365 kg platform Metric

Machine on lowered stabilisers with 1000 kg platform Metric



Machine on lowered stabilisers with 3D positive Metric



Machine on lowered stabilisers with 3D negative Metric

