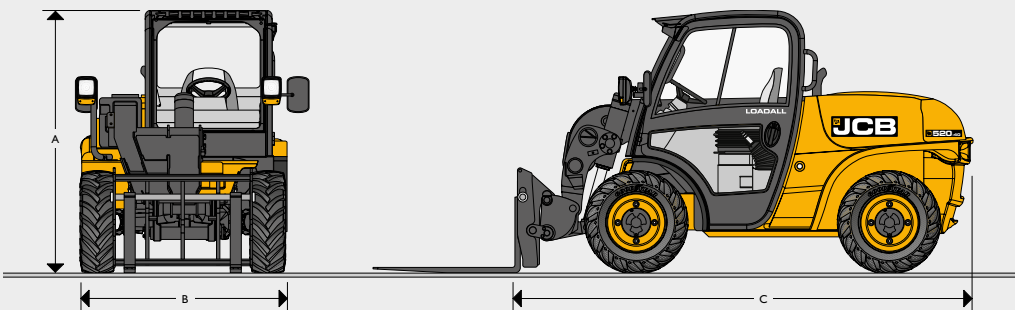
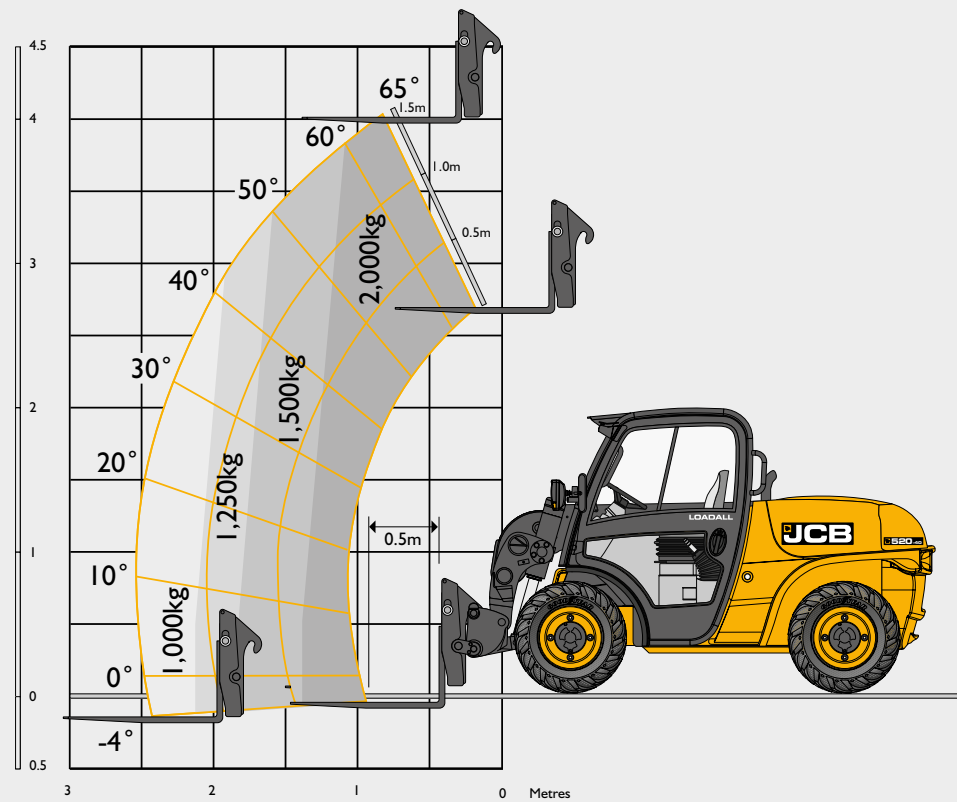


STATIC DIMENSIONS



Machine model		520-40
A Overall height	m	1.97
B Inside width of cab	m	0.92
C Width over tyres	m	1.56
D Front track	m	1.29
E Wheelbase	m	1.90
F Overall Length to front tyres	m	2.92
G Overall length to front carriage	m	3.38
H Ground clearance	m	0.27
Outer turn radius over tyres	m	3.05
Carriage roll back angle at ground	degrees	48
Carriage dump angle at max height	degrees	33
Weight	kg	4400
Tyres		10x16.5

LIFT PERFORMANCE



Machine model		520-40
Maximum lift capacity	kg	2000
Lift capacity to full height	kg	2000
Lift capacity at full reach	kg	1000
Maximum lift height	mm	4035
Reach at max. lift height	mm	890
Maximum forward reach	mm	2590
Reach with 1 tonne payload	mm	2100

Complies with stability test EN 1459 Annex B.